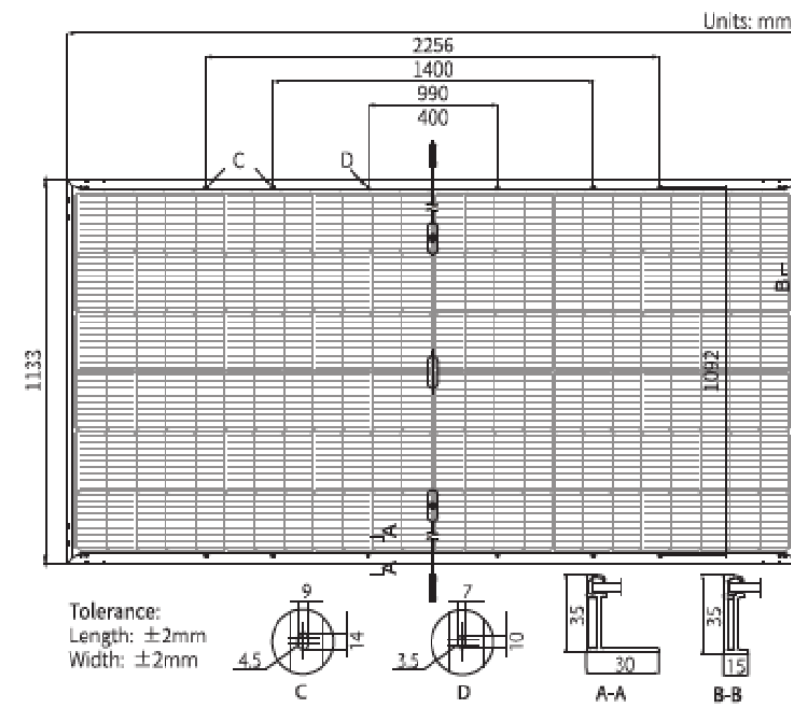
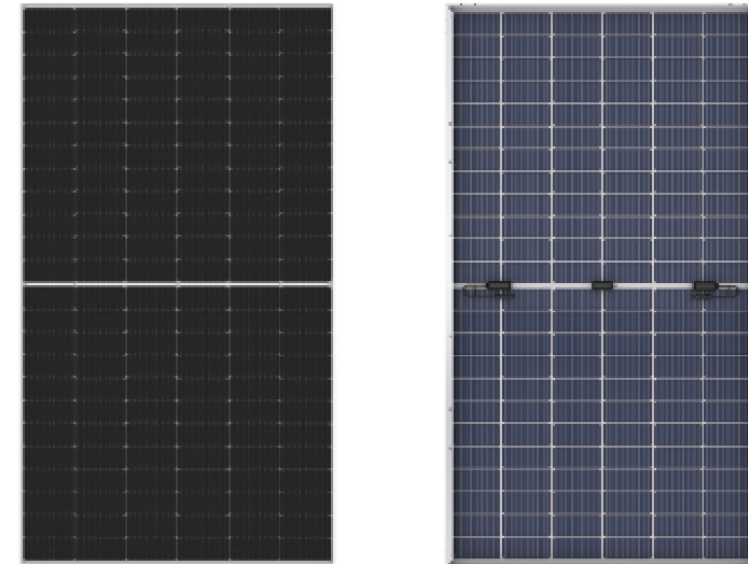


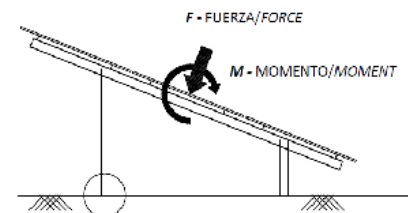
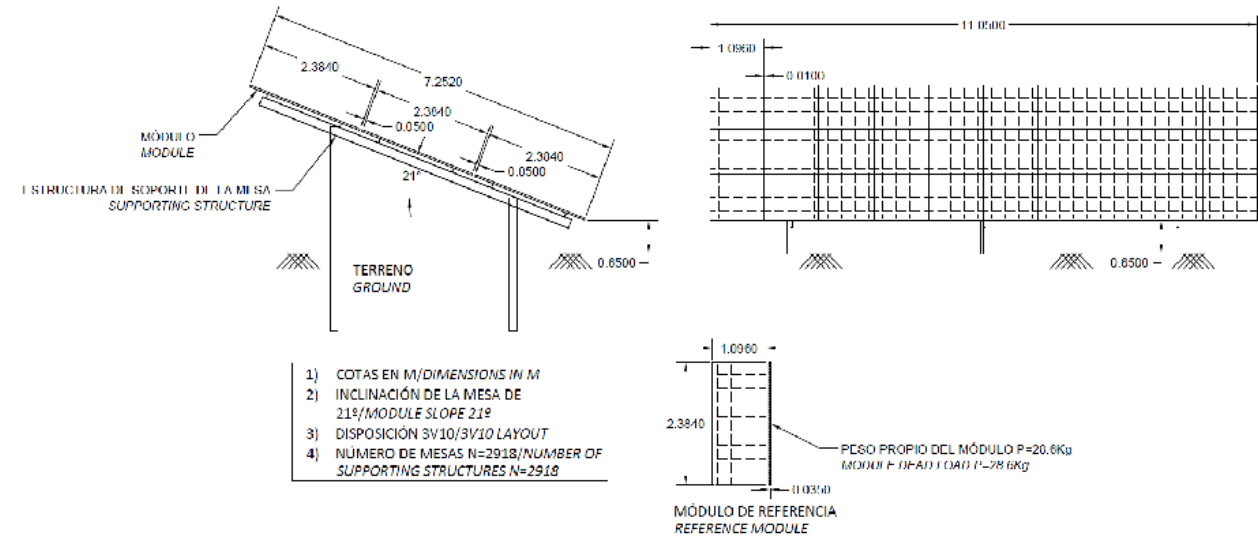


Technical aspect		Required
Peak Power		100 MWdc
Inverters Power AC		82,488 MVAs (12 PBs*2 inverters)
Power at POI		73 MW
Configuration		Free
Inverter (45°)		Sungrow 3125 HV-30 (3,437 MVAs )
Type of panel		LR5 72 HBD Longi 545 W
Panel Overall Dimensions - Height		2256 mm
Panel Overall Dimensions - Width		1133 mm
Panel Overall Dimensions - Thickness		35 mm
Panel Weight		32,3 kg
Estimated number of structures		Free
Tilt angle		Free
Normative for Loads		Free
Commercial aspect		Required
Structure Warranty		10 years
Non-Corrosion warranty		25 years (if applicable)
Site Conditions		Required
Corrosion category for aboveground structures		C3
Soil Aggressiveness for belowground structures		Low
Maximum Temperature		36.2°C
Minimum Temperature		-6.8°C
Mean Annual Temperature		12.98°C
Site Height (m.a.s.l.)		700
Total Annual Rainfall (mm)		453
Albedo		20%
Wind Loads		27 m/s
Snow Loads		0,35 kN/m2





Technical aspect	Required
Configuration	3V10
Type of panel	TRINA TSM-DE19
Panel Overall Dimensions - Height	2384 mm
Panel Overall Dimensions - Width	1096 mm
Panel Overall Dimensions - Thickness	35 mm
Panel Weight	28,6 Kg
Estimated number of structures	2918
Tilt angle	21°
Normative for Loads	Eurocode + CTE
Wind Loads	According to sketch
Snow Loads	According to sketch
Foundations	Driven Pile
Commercial aspect	Required
Structure Warranty	10 years
Non-Corrosion warranty	25 years (if applicable)
Acceptance table of technical specification	Required
Site Conditions	Required
Corrosion category for aboveground structures	C3
Soil Aggressiveness for belowground structures	Low
Maximum Temperature	36.2°C
Minimum Temperature	-6.8°C
Mean Annual Temperature	12.98°C
Site Height (m.a.s.l.)	700
Total Annual Rainfall (mm)	453

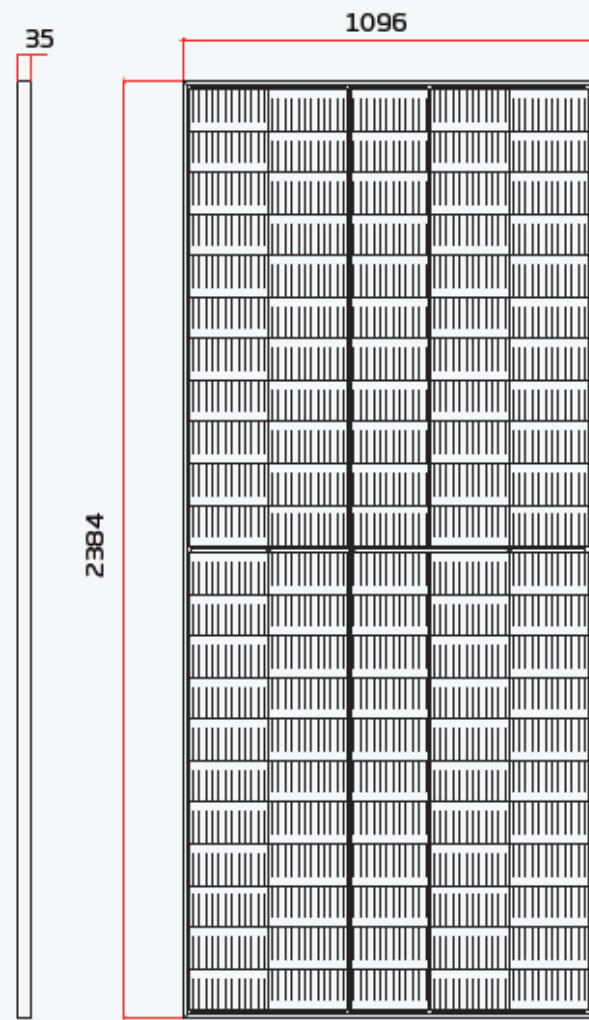


CARGAS/LOADS		
CARGAS DE VIENTO/WIND LOADS		
TIPO/TYP	S (kN)	M (kN-m)
P1	43.566	361.884
S1	67.482	20.331
CARGAS DE NIEVE/SNOW LOADS		
S=0.32kN/m² según EC1.3/according to EC1.3 EN1991-1-1		
COMBINACIONES DE CARGA SEGUN EUROCODIGO/LOAD COMBINATIONS SHALL COMPLY WITH EUROCODE		

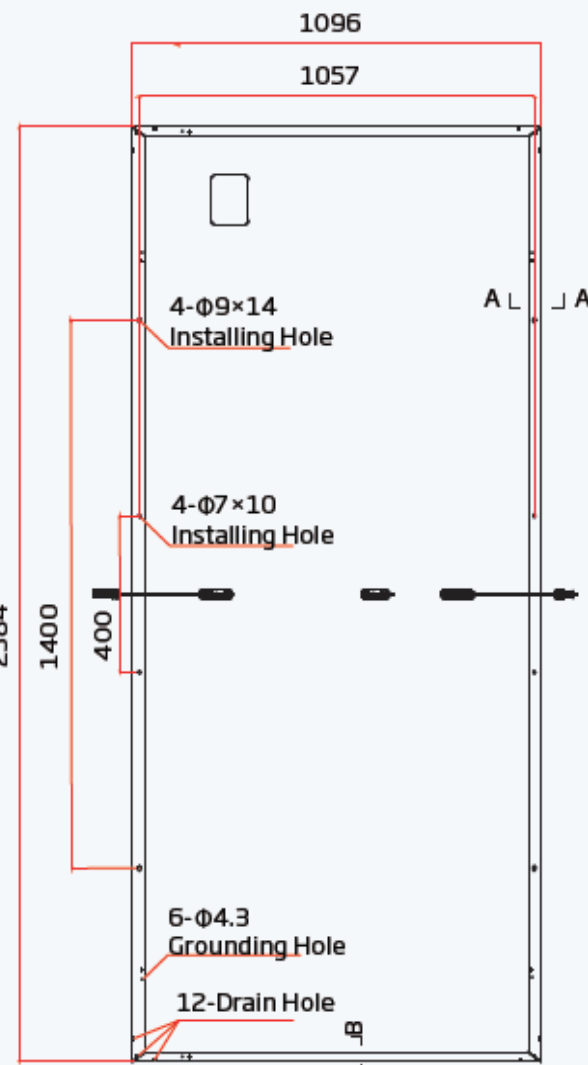
Los valores positivos de las variables P y M se corresponden con los sentidos indicados en el croquis.  
The positive values of variables P and M correspond to the directions shown in the sketch.

DEBE CONSIDERARSE LA BASE DEL PILAR EMPOTRADO/  
FIXED END SHALL BE ASSUMED

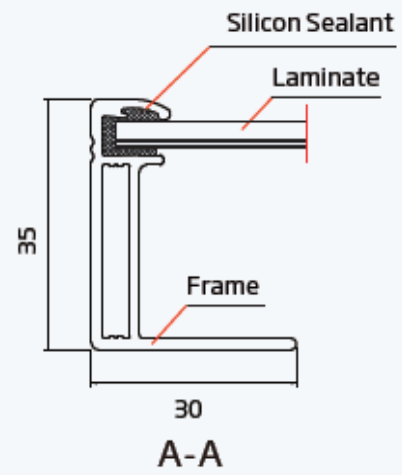
### DIMENSIONS OF PV MODULE(mm)



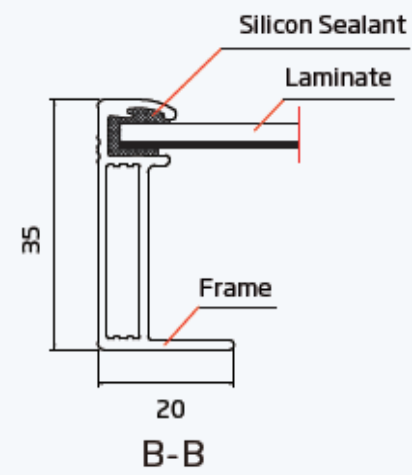
Front View



Back View



A-A



B-B



Technical aspect		Required
Peak Power		100 MWdc
Inverters Power AC		85,925 MVAs (12 PBs*2 inverters + 1 PB*1 inverter)
Power at POI		75 MW
Configuration		Free
Inverter (45°)		Sungrow 3125 HV-30 (3,437 MVAs )
Type of panel		LR5 72 HBD Longi 545 W
Panel Overall Dimensions - Height		2256 mm
Panel Overall Dimensions - Width		1133 mm
Panel Overall Dimensions - Thickness		35 mm
Panel Weight		32,3 kg
Estimated number of structures		Free
Tilt angle		Free
Normative for Loads		Free
Commercial aspect		Required
Structure Warranty		10 years
Non-Corrosion warranty		25 years (if applicable)
Site Conditions		Required
Corrosion category for aboveground structures		C3
Soil Aggressiveness for belowground structures		Low
Maximum Temperature		36.2°C
Minimum Temperature		-6.8°C
Mean Annual Temperature		12.98°C
Site Height (m.a.s.l.)		700
Total Annual Rainfall (mm)		453
Albedo		20%
Wind Loads		27 m/s
Snow Loads		0,35 kN/m2

